



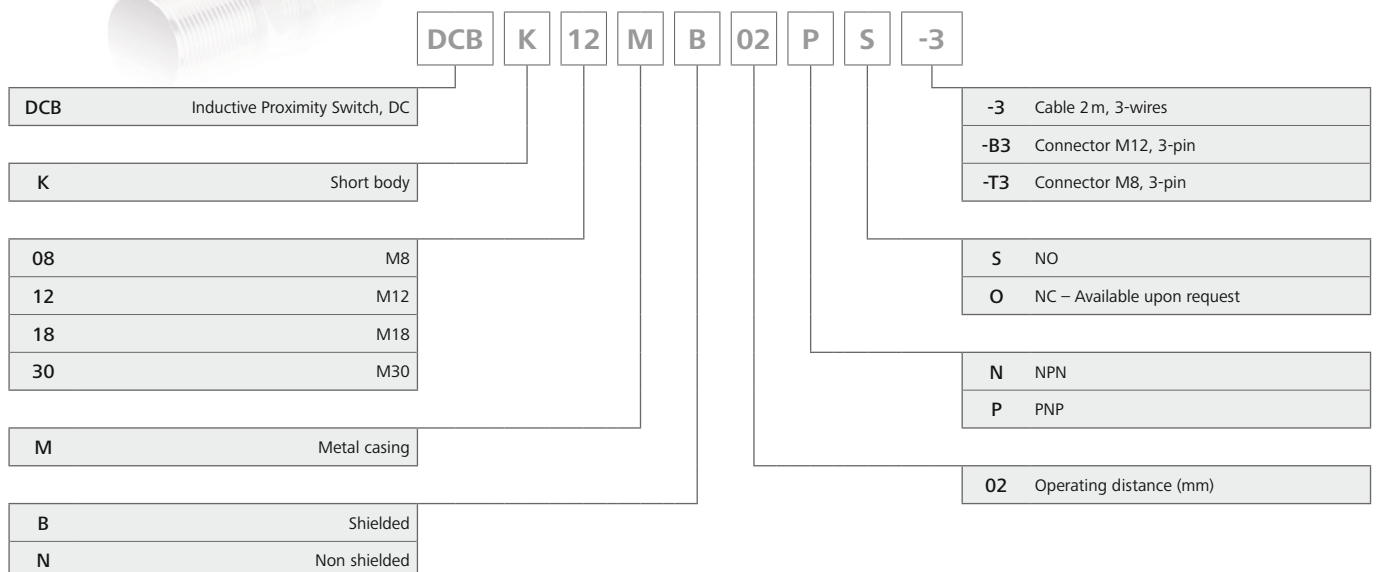
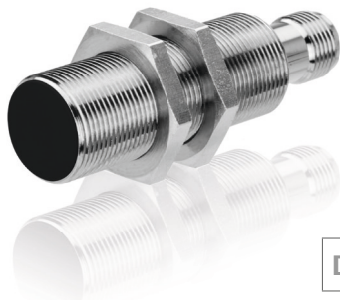
M8 - M30



The new basic series
of standard inductive proximity switches

Your advantages:

- Standard and extended operation distance
- Short versions available
- Connector and cable versions
- Quality products "Made in EU"



Proximity Switches M8 – M30



M8 x 1	Shielded	Non shielded	Operating distance	Switching frequency	Cable	Connector	PNP-model, NO	NPN-model, NO
	■		1,5 mm	5.000 Hz	2 m		DCB 08 MB 1.5 PS-3	DCB 08 MB 1.5 NS-3
	■		1,5 mm	5.000 Hz		M8	DCB 08 MB 1.5 PS-T3	DCB 08 MB 1.5 NS-T3
	■		2 mm	5.000 Hz	2 m		DCB 08 MB 02 PS-3	DCB 08 MB 02 NS-3
	■		2 mm	5.000 Hz		M8	DCB 08 MB 02 PS-T3	DCB 08 MB 02 NS-T3
		■	2,5 mm	5.000 Hz	2 m		DCB 08 MN 2.5 PS-3	DCB 08 MN 2.5 NS-3
		■	2,5 mm	5.000 Hz		M8	DCB 08 MN 2.5 PS-T3	DCB 08 MN 2.5 NS-T3
		■	4 mm	5.000 Hz	2 m		DCB 08 MN 04 PS-3	DCB 08 MN 04 NS-3
		■	4 mm	5.000 Hz		M8	DCB 08 MN 04 PS-T3	DCB 08 MN 04 NS-T3

M8 x 1, short	Shielded	Non shielded	Operating distance	Switching frequency	Cable	Connector	PNP-model, NO	NPN-model, NO
	■		1,5 mm	5.000 Hz	2 m		DCBK 08 MB 1.5 PS-3	DCBK 08 MB 1.5 NS-3
	■		1,5 mm	5.000 Hz		M8	DCBK 08 MB 1.5 PS-T3	DCBK 08 MB 1.5 NS-T3
	■		2 mm	5.000 Hz	2 m		DCBK 08 MB 02 PS-3	DCBK 08 MB 02 NS-3
	■		2 mm	5.000 Hz		M8	DCBK 08 MB 02 PS-T3	DCBK 08 MB 02 NS-T3
		■	2,5 mm	5.000 Hz	2 m		DCBK 08 MN 2.5 PS-3	DCBK 08 MN 2.5 NS-3
		■	2,5 mm	5.000 Hz		M8	DCBK 08 MN 2.5 PS-T3	DCBK 08 MN 2.5 NS-T3
		■	4 mm	5.000 Hz	2 m		DCBK 08 MN 04 PS-3	DCBK 08 MN 04 NS-3
		■	4 mm	5.000 Hz		M8	DCBK 08 MN 04 PS-T3	DCBK 08 MN 04 NS-T3

M12 x 1	Shielded	Non shielded	Operating distance	Switching frequency	Cable	Connector	PNP-model, NO	NPN-model, NO
	■		2 mm	2.000 Hz	2 m		DCB 12 MB 02 PS-3	DCB 12 MB 02 NS-3
	■		2 mm	2.000 Hz		M12	DCB 12 MB 02 PS-B3	DCB 12 MB 02 NS-B3
	■		4 mm	2.000 Hz	2 m		DCB 12 MB 04 PS-3	DCB 12 MB 04 NS-3
	■		4 mm	2.000 Hz		M12	DCB 12 MB 04 PS-B3	DCB 12 MB 04 NS-B3
		■	4 mm	2.000 Hz	2 m		DCB 12 MN 04 PS-3	DCB 12 MN 04 NS-3
		■	4 mm	2.000 Hz		M12	DCB 12 MN 04 PS-B3	DCB 12 MN 04 NS-B3
		■	8 mm	2.000 Hz	2 m		DCB 12 MN 08 PS-3	DCB 12 MN 08 NS-3
		■	8 mm	2.000 Hz		M12	DCB 12 MN 08 PS-B3	DCB 12 MN 08 NS-B3

M12 x 1, short	Shielded	Non shielded	Operating distance	Switching frequency	Cable	Connector	PNP-model, NO	NPN-model, NO
	■		2 mm	2.000 Hz	2 m		DCBK 12 MB 02 PS-3	DCBK 12 MB 02 NS-3
	■		2 mm	2.000 Hz		M12	DCBK 12 MB 02 PS-B3	DCBK 12 MB 02 NS-B3
	■		4 mm	2.000 Hz	2 m		DCBK 12 MB 04 PS-3	DCBK 12 MB 04 NS-3
	■		4 mm	2.000 Hz		M12	DCBK 12 MB 04 PS-B3	DCBK 12 MB 04 NS-B3
		■	4 mm	2.000 Hz	2 m		DCBK 12 MN 04 PS-3	DCBK 12 MN 04 NS-3
		■	4 mm	2.000 Hz		M12	DCBK 12 MN 04 PS-B3	DCBK 12 MN 04 NS-B3
		■	8 mm	2.000 Hz	2 m		DCBK 12 MN 08 PS-3	DCBK 12 MN 08 NS-3
		■	8 mm	2.000 Hz		M12	DCBK 12 MN 08 PS-B3	DCBK 12 MN 08 NS-B3

M18 x 1	Shielded	Non shielded	Operating distance	Switching frequency	Cable	Connector	PNP-model, NO	NPN-model, NO
	■		5 mm	600 Hz	2 m		DCB 18 MB 05 PS-3	DCB 18 MB 05 NS-3
	■		5 mm	600 Hz		M12	DCB 18 MB 05 PS-B3	DCB 18 MB 05 NS-B3
	■		8 mm	300 Hz	2 m		DCB 18 MB 08 PS-3	DCB 18 MB 08 NS-3
	■		8 mm	300 Hz		M12	DCB 18 MB 08 PS-B3	DCB 18 MB 08 NS-B3
		■	8 mm	600 Hz	2 m		DCB 18 MN 08 PS-3	DCB 18 MN 08 NS-3
		■	8 mm	600 Hz		M12	DCB 18 MN 08 PS-B3	DCB 18 MN 08 NS-B3
		■	12 mm	300 Hz	2 m		DCB 18 MN 12 PS-3	DCB 18 MN 12 NS-3
		■	12 mm	300 Hz		M12	DCB 18 MN 12 PS-B3	DCB 18 MN 12 NS-B3

M30 x 1,5	Shielded	Non shielded	Operating distance	Switching frequency	Cable	Connector	PNP-model, NO	NPN-model, NO
	■		10 mm	200 Hz	2 m		DCB 30 MB 10 PS-3	DCB 30 MB 10 NS-3
	■		10 mm	200 Hz		M12	DCB 30 MB 10 PS-B3	DCB 30 MB 10 NS-B3
	■		15 mm	150 Hz	2 m		DCB 30 MB 15 PS-3	DCB 30 MB 15 NS-3
	■		15 mm	150 Hz		M12	DCB 30 MB 15 PS-B3	DCB 30 MB 15 NS-B3
		■	15 mm	200 Hz	2 m		DCB 30 MN 15 PS-3	DCB 30 MN 15 NS-3
		■	15 mm	200 Hz		M12	DCB 30 MN 15 PS-B3	DCB 30 MN 15 NS-B3
		■	20 mm	150 Hz	2 m		DCB 30 MN 20 PS-3	DCB 30 MN 20 NS-3
		■	20 mm	150 Hz		M12	DCB 30 MN 20 PS-B3	DCB 30 MN 20 NS-B3

Connection cables	PVC 2,5 m	PVC 5,0 m	PVC 10,0 m
M8, straight	TKPM-Z-2.5	TKPM-Z-5	TKPM-Z-10
M8, angled	TKPM-W-2.5	TKPM-W-5	TKPM-W-10
M12, straight	VKPM-Z-2.5/4	VKPM-Z-5/4	VKPM-Z-10/4
M12, angled	VKPM-W-2.5/4	VKPM-W-5/4	VKPM-W-10/4

Mounting Brackets	
for M8:	SH 8
for M12:	SH 12
for M18:	SH 18
for M30:	SH 30

© di-soric | Subject to change | Dated 06/14 | FL_038.0614e